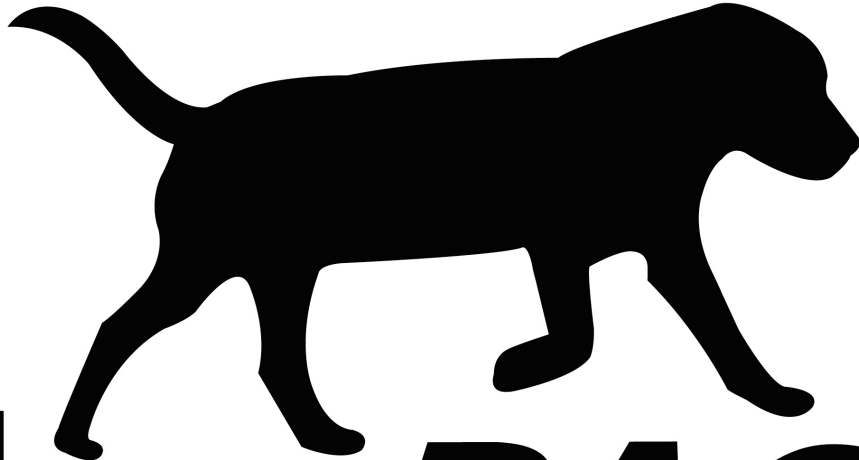


USER'S MANUAL



dog **PACER**TM

LF-3.1

WWW.DOGPACER.COM

The latest manual and any updates are always available online



This is a HIGH-POWER item; please DO NOT USE THE SAME OUTLET WITH OTHER HIGH-POWER HOUSEHOLD APPLIANCES like air-conditioners, etc.

Please choose an outlet exclusively for this machine.

Product may vary slightly from the items pictured due to model upgrades

Table of Contents

1. GENERAL INSTRUCTIONS	3
1.1 Important Electrical Information	4
1.2 Important Operation Instructions	4
2. MACHINE OVERVIEW	5
3. ASSEMBLY INSTRUCTIONS	
3.1 Initial Assembly	6 - 9
3.2 Belt Tension & Tracking	10 - 11
3.3 Know Your Computer	12
3.4 After Assembly - Quick-Start Operation	13
3.5 Calorie Display	13
3.6 Incline Feature	13
3.7 Transport	14
3.8 Programs	
3.8.1 Preset Program	14
3.8.2 To Select a Program	14
3.8.3 List of Programs	14
Program Charts	15
4. MAINTENANCE	
4.1 General Cleaning	16
4.2 General Care	16
4.3 Belt/Deck/Roller Lubrication	17
4.4 How to Check the Running belt for proper lubrication	18
5. TROUBLE SHOOTING	
5.1 Alarm Signls	18
6. EXERCISE	19
7. ENHANCED DIAGRAM	20

1. GENERAL INSTRUCTIONS

WARNING: To reduce the risk of serious injury, read all important precautions, instructions and all warnings described in this manual. We assume no responsibility for personal injury or property damage sustained by or through the use of this product.

1. Before using the treadmill, or any exercise program, consult your veterinarian. This is especially important for dogs over the age of 10 years or pets with pre-existing health problems.
2. It is the responsibility of the owner to ensure that all users of this treadmill are adequately informed of all warnings and precautions.
3. Use the treadmill only as described in this manual.
4. Place the treadmill on a level surface, with at least 8 ft. (2.4 m) of clearance behind it and 2 ft. (0.6 m) on each side. Do not place the treadmill on a surface that blocks any air openings. To protect the floor or carpet from damage, place a mat under the treadmill.
5. Keep the treadmill indoors, away from moisture and dust. Do not put the treadmill in a garage or covered patio or near water.
6. Do not operate the treadmill where aerosol products are used or where oxygen is being administered.
7. Keep children away from the treadmill at all times.
8. The treadmill should be used only by pets weighing up to 179 lbs / 81 kg.
9. Never allow more than one pet on the treadmill at a time.
10. When connecting the power cord, plug the cord into an earthed/ground circuit. No other appliance should be on the same circuit.
11. If an extension cord is needed, use only a 3-conductor, 14-gauge (12mm) cord that is no longer than 6.5 ft. (2.0m).
12. Keep the power cord away from heated surfaces.
13. Never move the walking belt while the power is turned off. Do not operate the treadmill if the power cord or plug is damaged or if the treadmill is not working properly.
14. Read, understand, and test the emergency stop procedure before using the treadmill.
15. The treadmill is capable of high speeds. Adjust the speed in small increments to avoid sudden jumps in speed.
16. Never leave the treadmill unattended while it is running. Always remove the key, unplug the power cord, and switch the reset/off circuit breaker to the off position when the treadmill is not in use.
17. Do not attempt to raise, lower, or move the treadmill until it is properly assembled. You must be able to safely lift 51 lbs. (23 kg) to raise, lower or move the treadmill.

18. When moving the treadmill, be certain the Safety Bars are holding the frame securely in the open position.
19. Do not change the incline of the treadmill by placing objects under the treadmill.
20. Inspect and properly tighten all parts of the treadmill regularly. Constant opening and closing may cause the middle hinge to loosen.
21. Never drop or insert any object into any opening on the treadmill.
22. DANGER: Always unplug the power cord immediately after use, before cleaning the treadmill and before performing the maintenance and adjustment procedures described in this manual. Never remove the motor hood unless instructed to do so by an authorized service representative. Only an authorized service representative should perform services other than the procedures in this manual.
23. WARNING: If the power cord is damaged, it must be replaced by the manufacturer, a service agent or similarly qualified persons in order to avoid hazard.
24. Install the treadmill on a flat level surface with a suitable grounded outlet. Suitable volt/Hz is marked on the machine label.
25. Allowed temperature: 40 to 105 degrees Fahrenheit. If the treadmill has been exposed to cold temperatures, allow it to warm to room temperature before turning on the power. If you do not do this, you may damage the console displays or other electrical components.

1.1 IMPORTANT ELECTRICAL INFORMATION WARNING!

- NEVER use a ground fault circuit interrupt (GFCI) wall outlet with this treadmill. Route the power cord away from any moving part of the treadmill including the belt and transport wheels.
- NEVER remove any cover without first disconnecting power.

1.2 IMPORTANT OPERATION INSTRUCTIONS

- Understand that changes in speed do not occur immediately. The computer will obey the command gradually.
- IMPORTANT – The treadmill will not start until the power is on and the SAFETY KEY IS IN PLACE!
- In order to prevent losing balance and suffering unexpected injury, NEVER start your pet on the treadmill while the belt is moving. This unit starts with a very low speed. Simply standing on the belt during slow acceleration is proper after you have learned to operate this machine.
- A safety key is provided with this machine. Removing the safety key will stop the running belt; the treadmill will shut off automatically. Insert the safety key to reset the display.
- Do not use excessive pressure on computer keys. They are set to function properly with minimal finger pressure.

2. MACHINE OVERVIEW

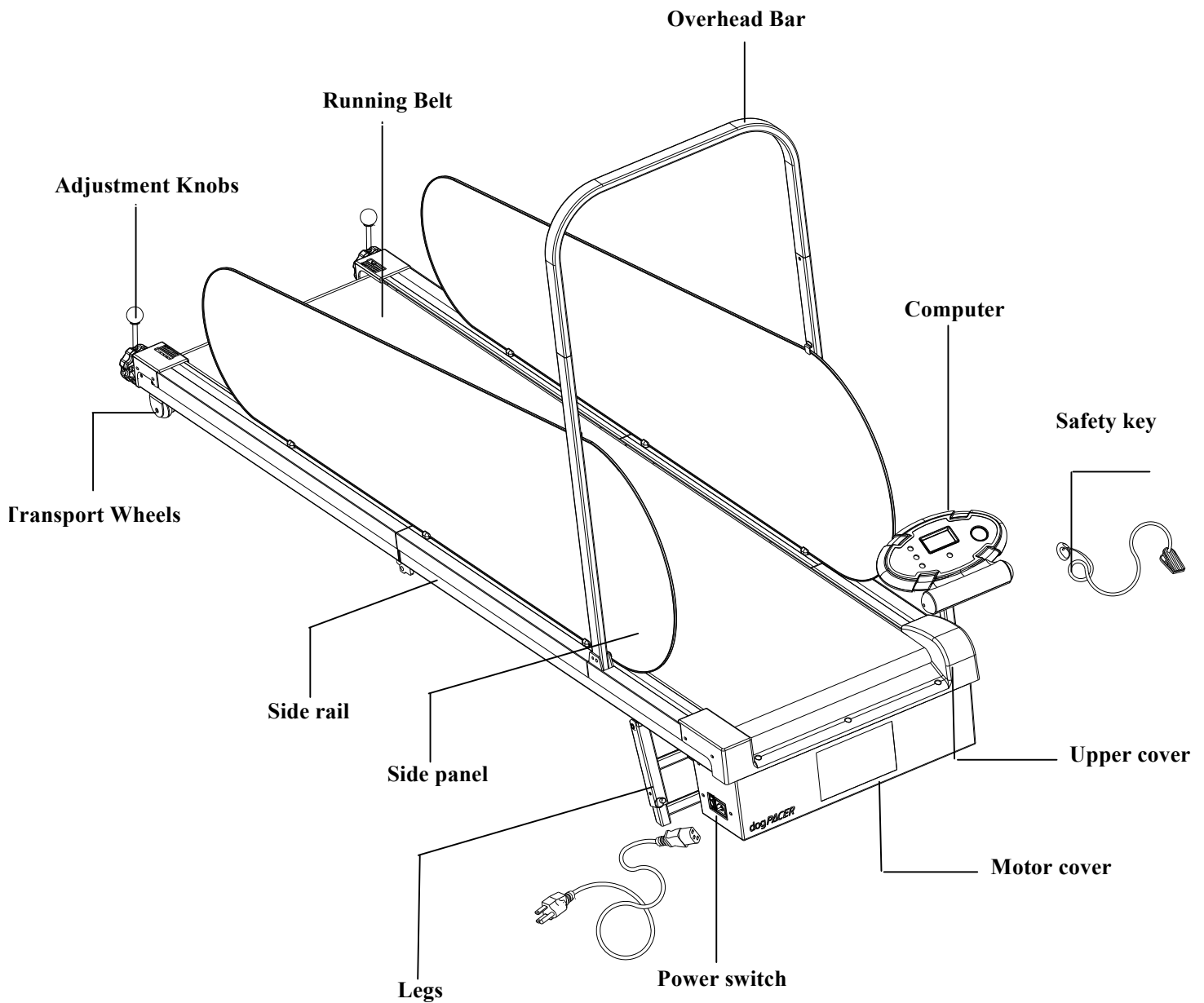
This motorized treadmill can help complete your goal of keeping your pet fit, living a happy and health life.

Speed range: 0.5 -7.5 MPH (0.1 increments)

Manual incline : 5-9 degrees

Programs: 3 pre-set programs (P1-P3)

Motor power:1.5HP Peak

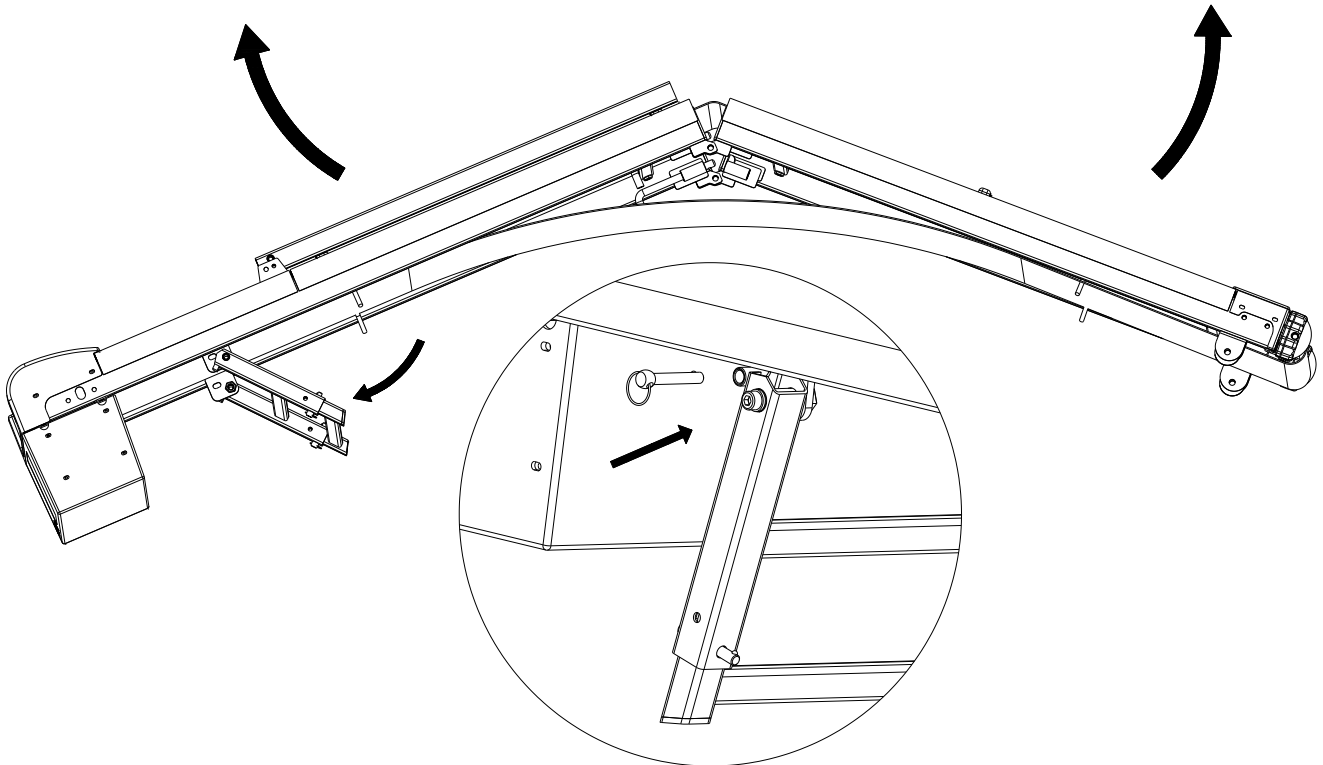


3. ASSEMBLY INSTRUCTIONS

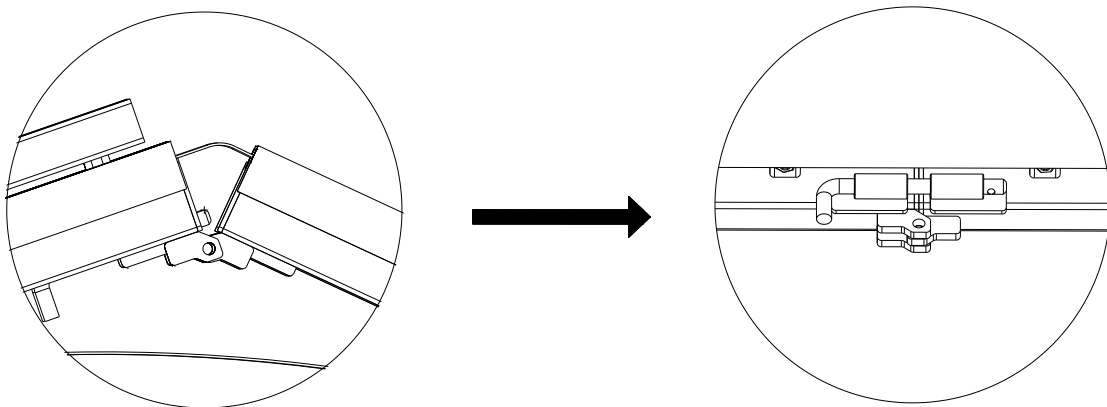
3.1 Initial Assembly

Take the dogPACER out of the box and place it on cardboard, a mattress or a carpeted surface.

- Lay the dogPACER in an open area so you have plenty of room to work.
- Unfold the dogPACER on its side (see diagram below).

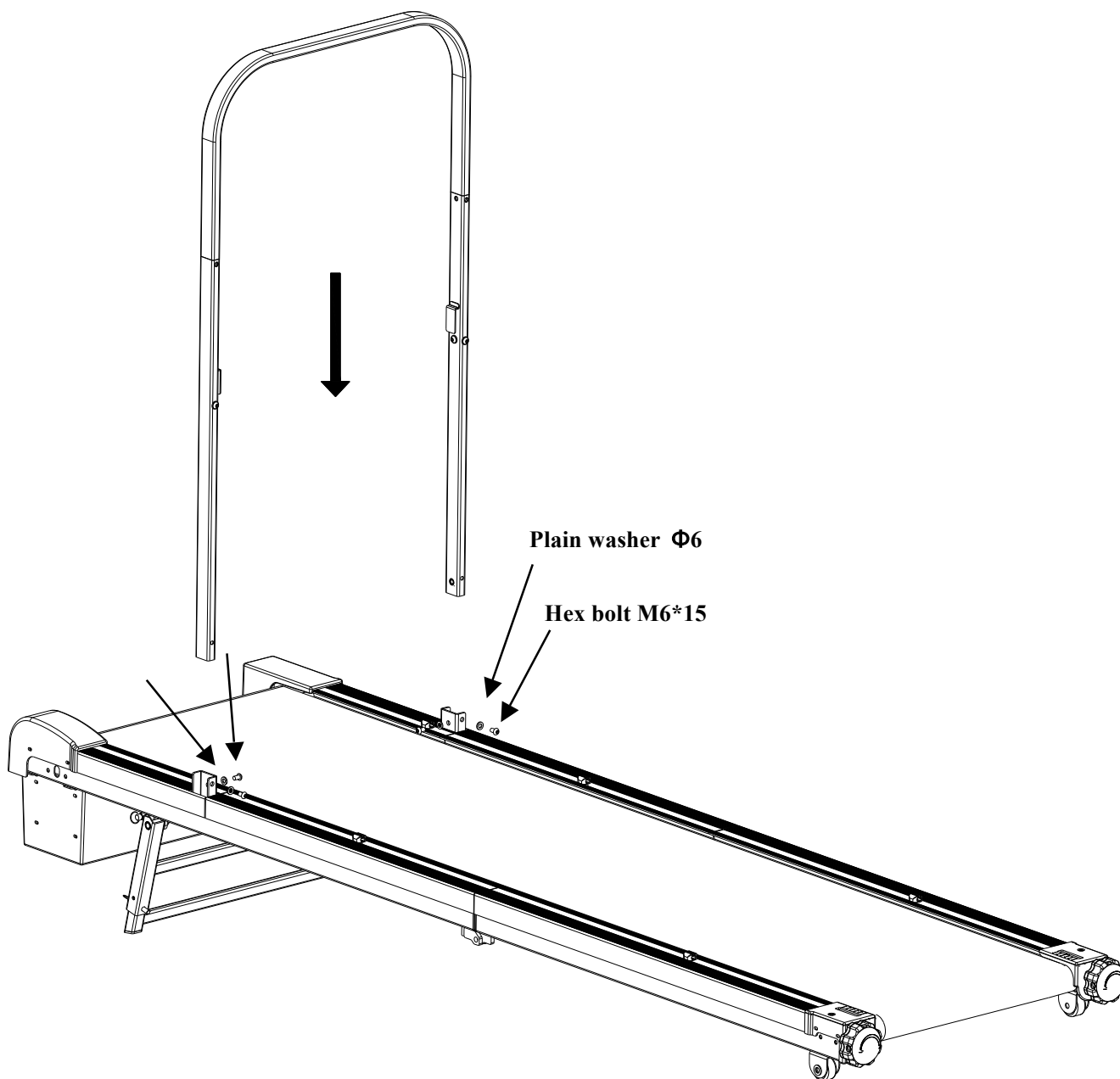


- Open legs and lock them into place using the Leg Pins (Bolt Ø6). Make sure they are locked (see above).

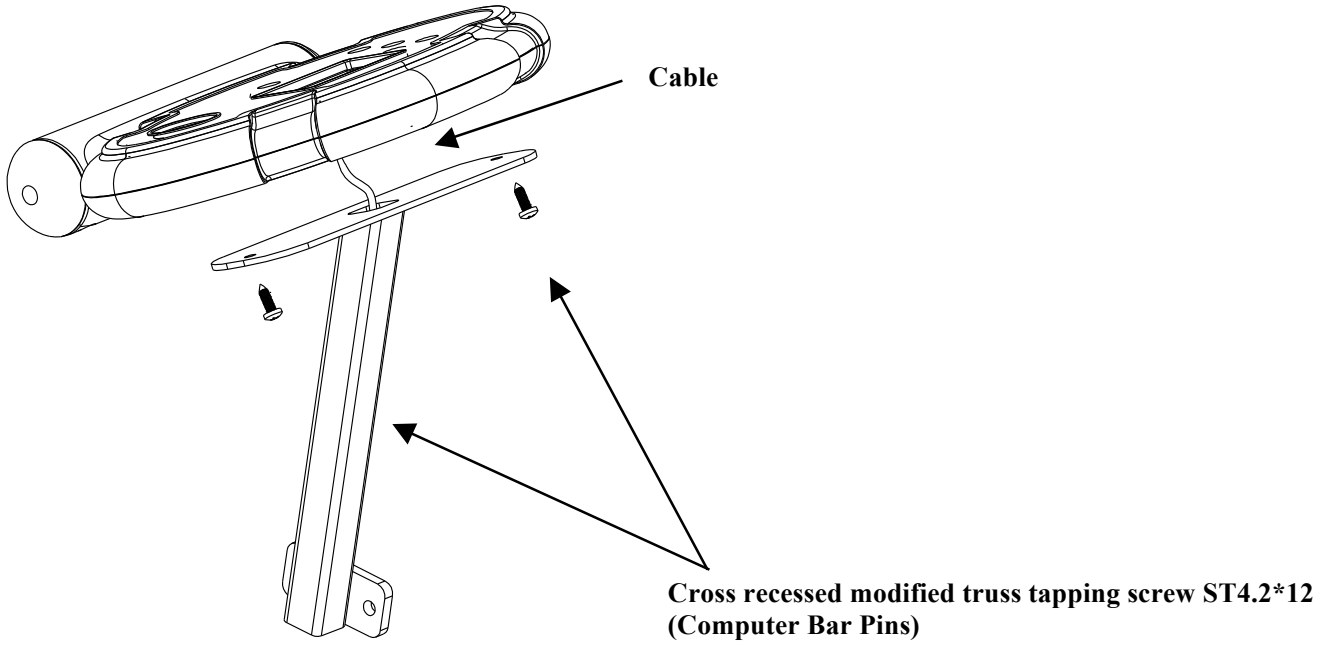


- After opening, when the dogPACER is on its side, slide the Safety Bar (Bolt Ø10*140) to the lock position. The safety lock is located under the middle of the treadmill (see diagram above).

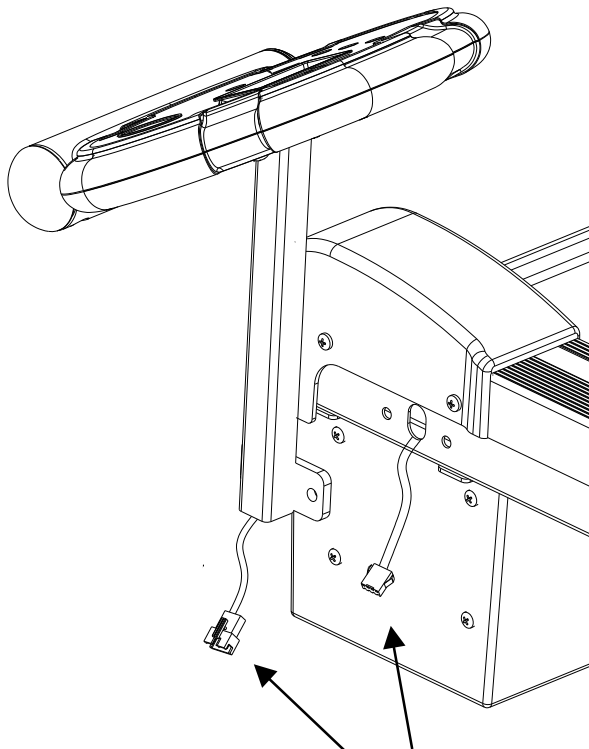
- Put the overhead bar in place and tighten the 4 screws (Bolts M6*15). The upper part can come off if your dog is too big. NOTE: Tighten screws a little at a time, one by one using the 5mm Hex Key.



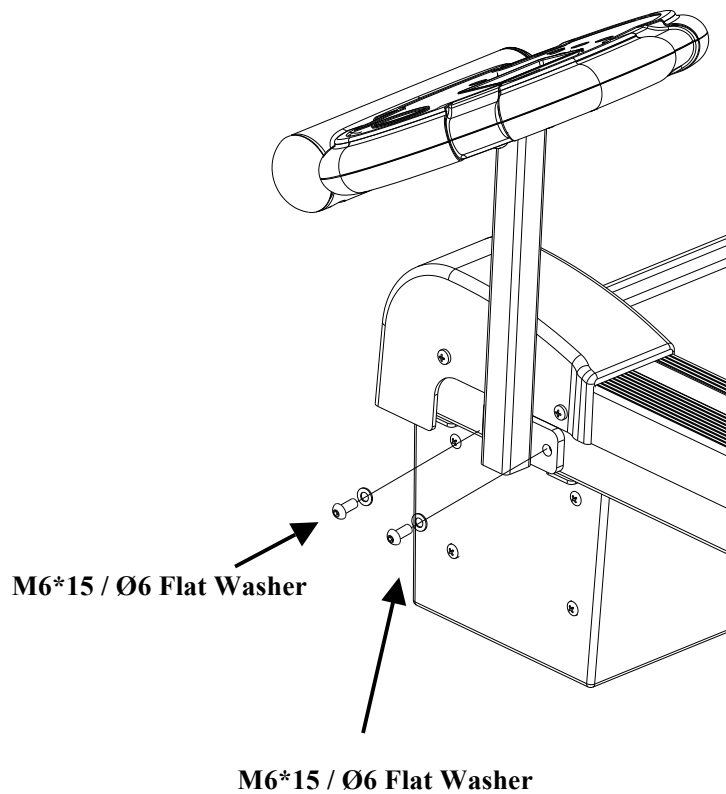
- Thread the computer with the cable through the leg and connect the computer to the leg using ST4.2*12 screws (see diagram).



- Connect the computer cable with the cable coming out of the treadmill (see diagram).

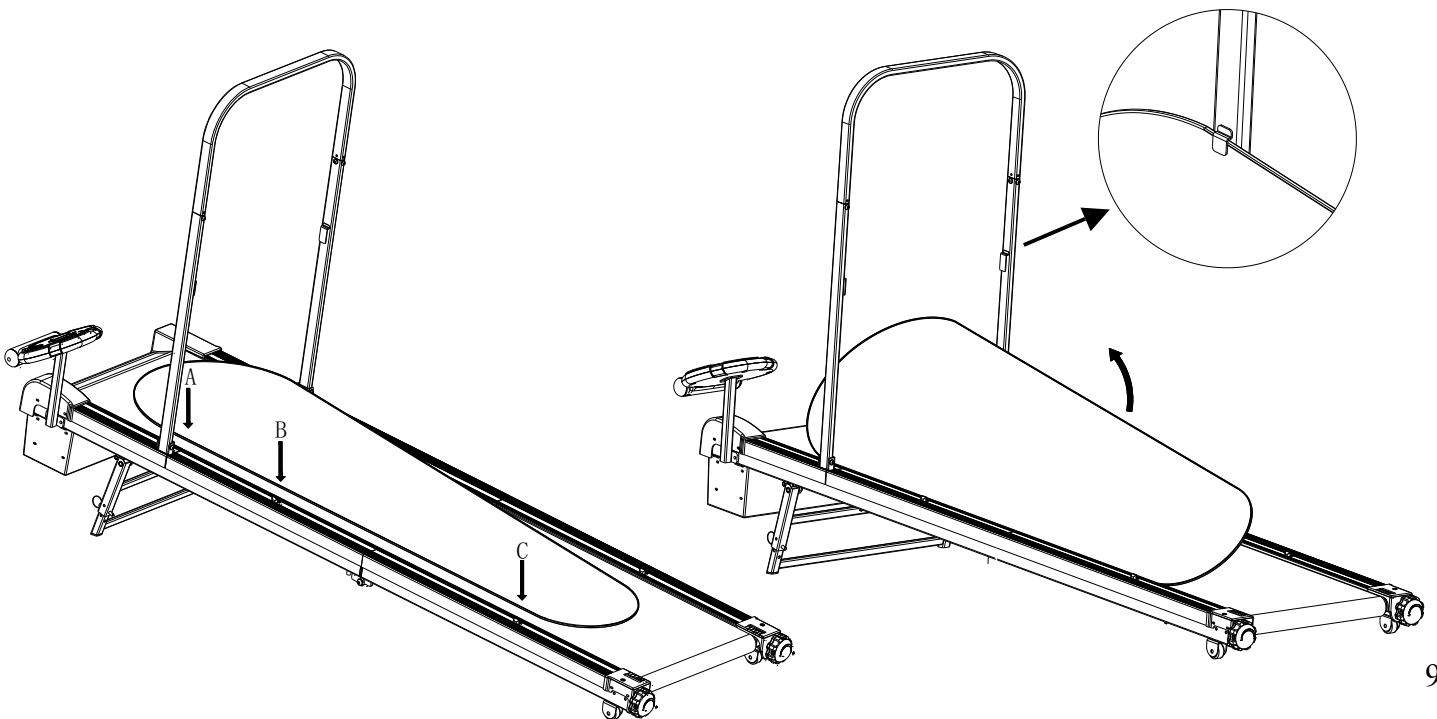


- Connect the computer to the treadmill using two M6*15 bolts (see diagram).



Steps to Attach the Side Panels:

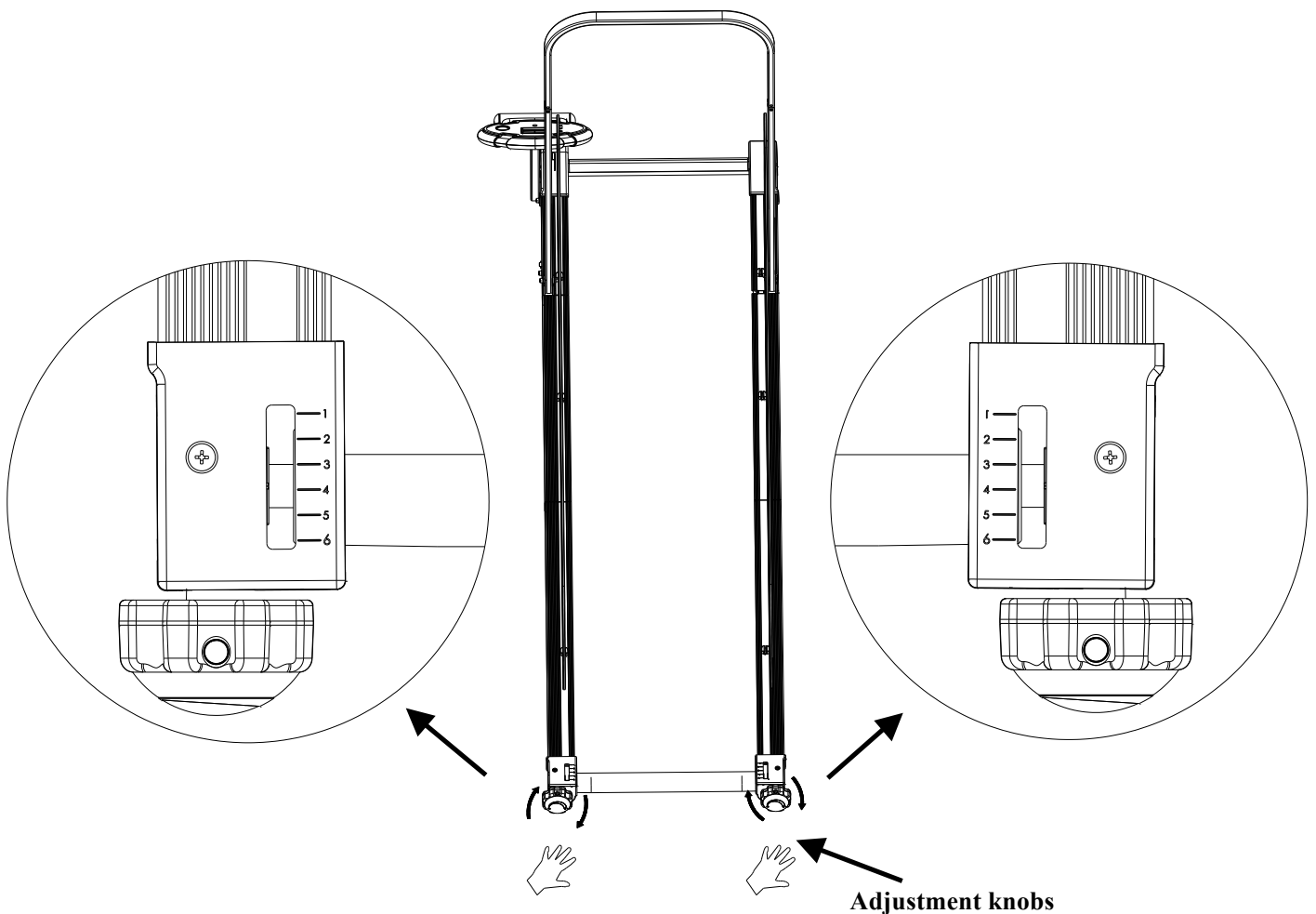
1. Place the side panel flat on the belt of the treadmill.
2. Insert the side panel to the 3 rubber clips (A, B & C) on the P.V.C side rails.
3. Lift up the side panel and place the upper part under the fixed clip on the upper bar (see diagram).



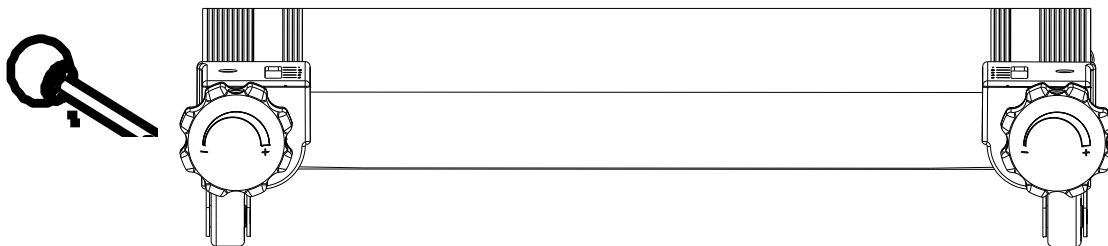
3.2 Belt Tension & Tracking

- The belt comes assembled loose. The Adjustment Knob System is located on the back end caps.
- Kneeling at the back/ end of the belt, center the belt using your hands. After you make sure the belt is centered, start turning both adjustment knobs clockwise to tighten the tension.
- For the belt to have enough tension it has to be between the numbers 2-3 on both sides of the back roller cover scale on the left and right sides of the treadmill (see diagram). Use the white marker on the rollers for better indication.

DO NOT OVERTIGHTEN - Over tightening will cause belt damage and premature roller (bearing) failure.



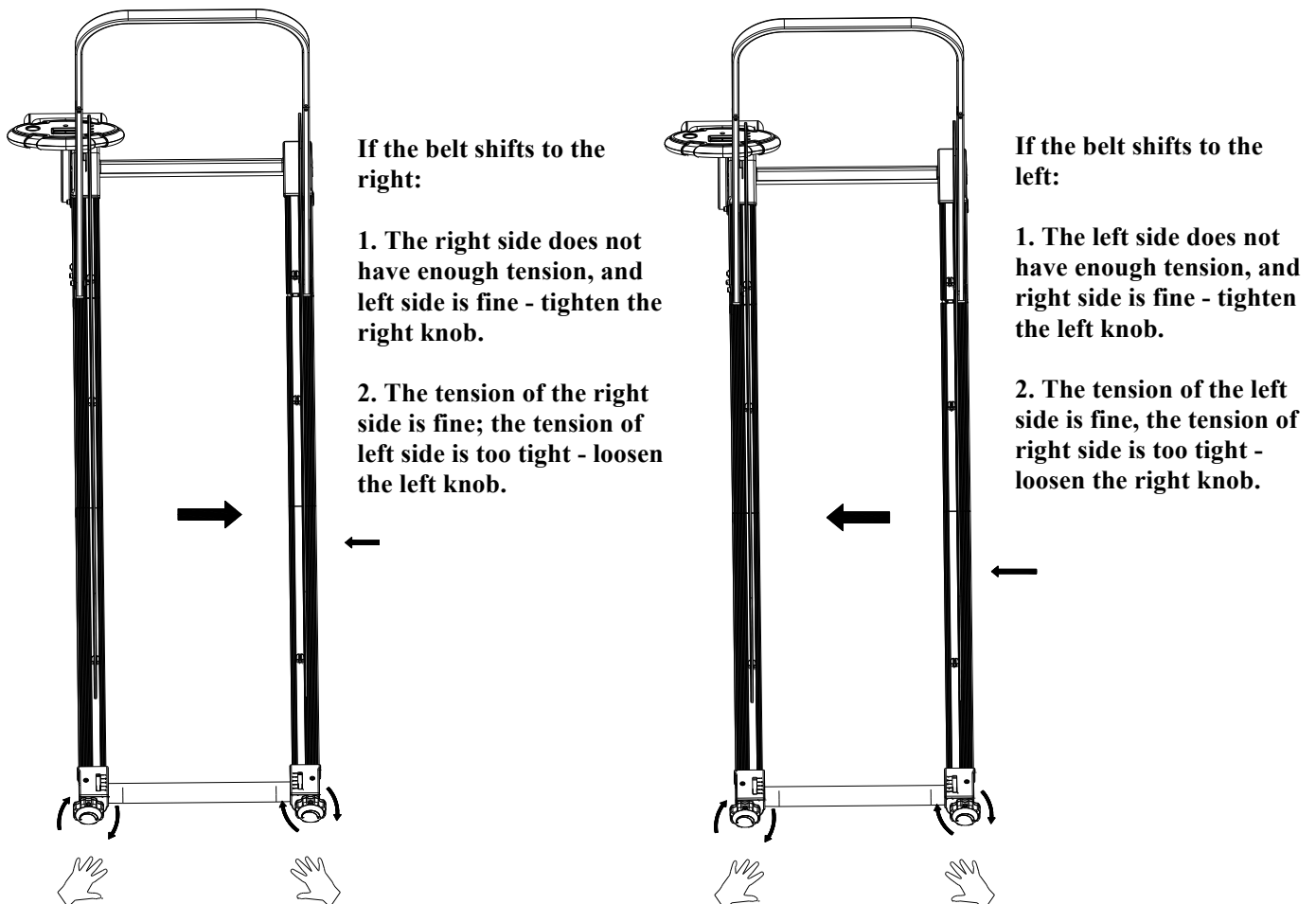
- If you cannot tighten the back roller mechanism with your hands, use the assistant poles (Ø8 Buld Bolt).



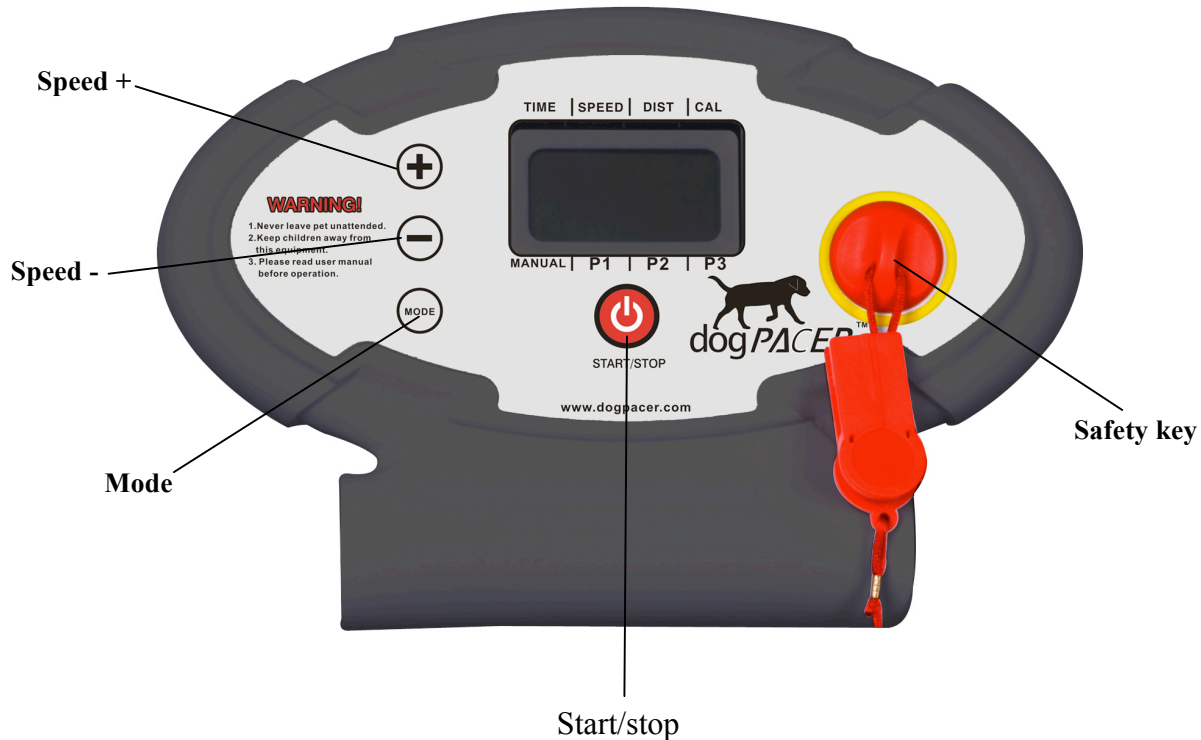
Belt Tracking Adjustment:

Making sure the belt tracking is set right is very important for your pet. Correct tracking helps provide a smooth, steady, running surface and helps with adjusting tension on the Belt Adjustment Knob System.

- After the belt and all the screws are tightened, connect the power cord to a ground circuit. Turn on the dogPACER with the power switch (reset/off circuit breaker). Press the START/STOP button on your computer. The computer will countdown '3,2,1' and start moving at the minimum speed (0.5MPH).
- At minimum speed, check the belt from the backside and see if there is a drift / shift to either the right or the left side.
- If the belt shifts to the right, tighten the left knob (clockwise) and loosen the right knob (counterclockwise) by using the Belt Adjustment Knob System until the belt centers (see diagram on bottom left). If belt shifts to the left, tighten the right knob and loosen the left knob by using the Belt Adjustment Knob System until the belt is centered (see diagram on bottom right). When adjusting the belt using the Adjustment Knob System, it is important to adjust the belt in half turn increments. Over adjusting the belt can cause damage to the belt.



3.3 Know Your Computer



- Before you start, remember to attach the red “Safety Key” to the computer. If you do not connect it, the screen will show an “E0” error message.

(1) MODE

When the machine is stopped, pressing the MODE button will allow you to select pre-set programs (P1 – P3). When the machine is in motion, pressing the MODE button will select the “time, speed, calories and distance”.

(2) START/STOP

When the machine is stopped, press the START/STOP button to make the machine start. When the machine is in motion, press the START/STOP button to make the machine slow down to a stop.

(3) SPEED +

While in motion, press the ‘+’ button to increase the speed by 0.1MPH. Hold down the ‘+’ to have the speed increase continuously.

(4) SPEED -

While in motion, press the ‘-’ button to decrease the speed by 0.1MPH. Hold down the ‘-’ button to have the speed decrease continuously.

3.4 After assembly - Quick Start Operation

- Press and release START/STOP to begin belt movement, at 0.5 MPH then adjust to the desired speed using the '+' or '-'.
- To slow the treadmill down, press and hold the '-' key to desired speed.
- While the belt is moving press START/STOP, the walking belt will gradually slow down.

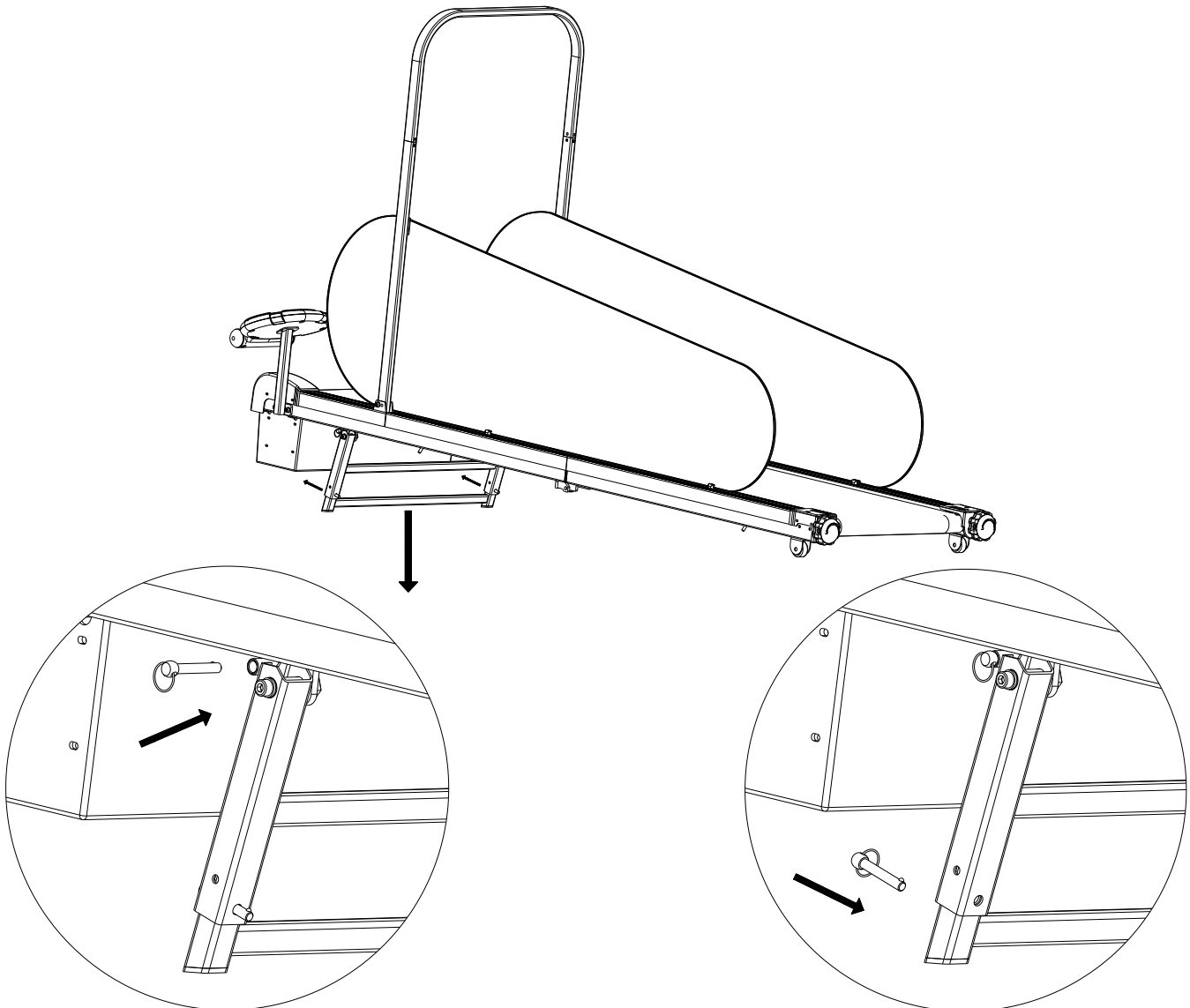
3.5 Calorie Display

The dogPACER displays the cumulative calories burned at any given time during your pet's workout.

NOTE: This is only a rough guide, used for comparison of different exercise sessions. It should not be used for medical purposes.

3.6 Incline Feature

- The dogPACER contains 4 manual incline positions from 5 degrees to 9 degrees (5, 6.5, 7.5, 9).



3.7 Transport

Transport the treadmill from one place to another with the transport wheels by lifting the front of the treadmill and rolling it to the desired position.

Note: you should be able to carry 51 lbs.

3.8 Programs

3.8.1 Selecting a Program

Power on the machine, press ‘MODE’ to choose desired program, then press and release ‘START/STOP’ to begin the program with default values.

3.8.2 Pre-Set programs

Each preset program has a maximum time of 30 min per workout. It will always start at 10 min and can be adjusted per your dog’s comfort level. Choose from P1, P2, or P3 to give your pet the desired exercise level. Each program has various speed changes throughout the program (see list of programs).

3.8.3 List of programs

- **P1** - Easy pacer
- **P2** - Interval pacer
- **P3** - Competitive pacer

P1 - Easy pacer

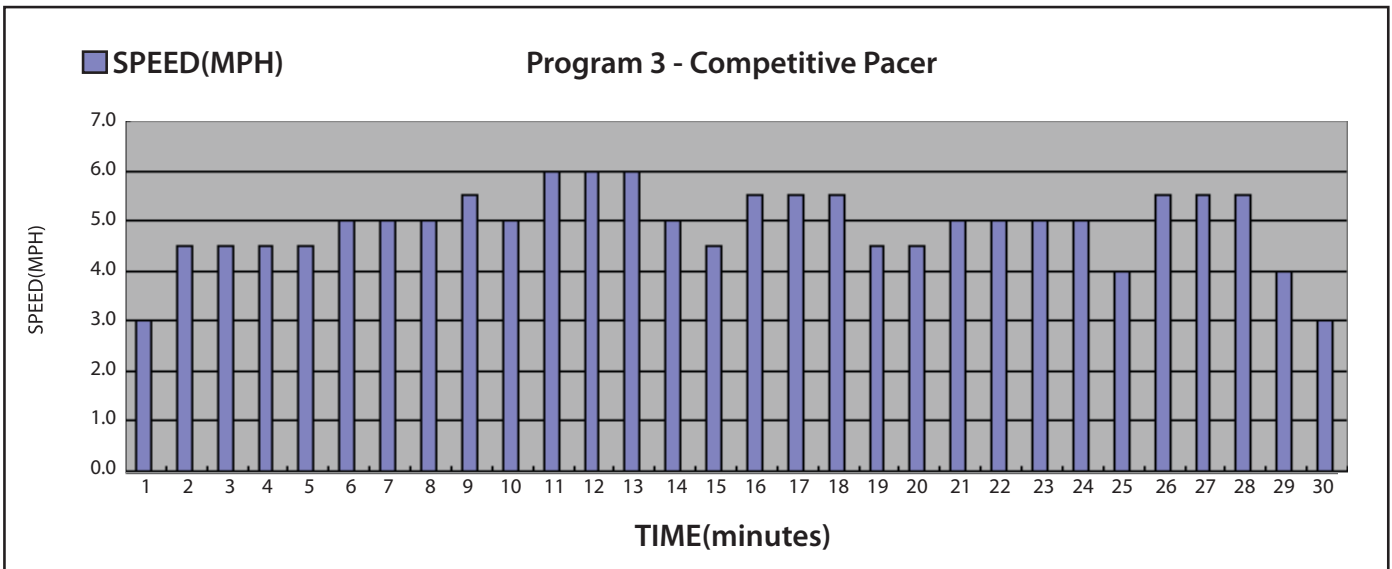
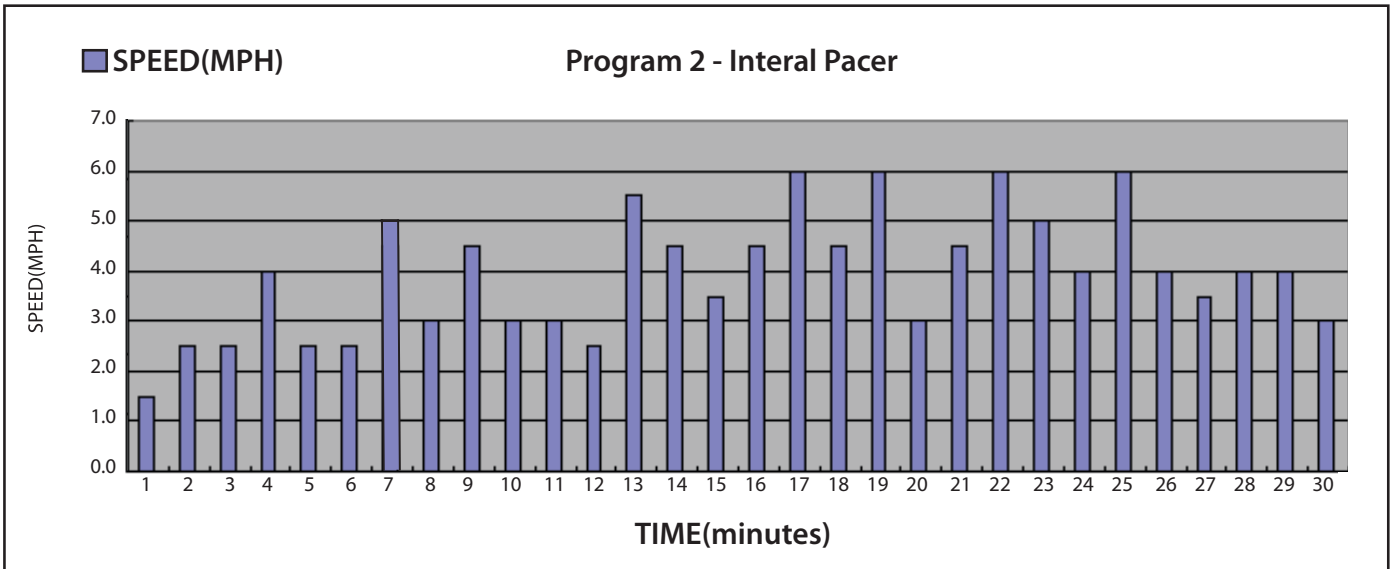
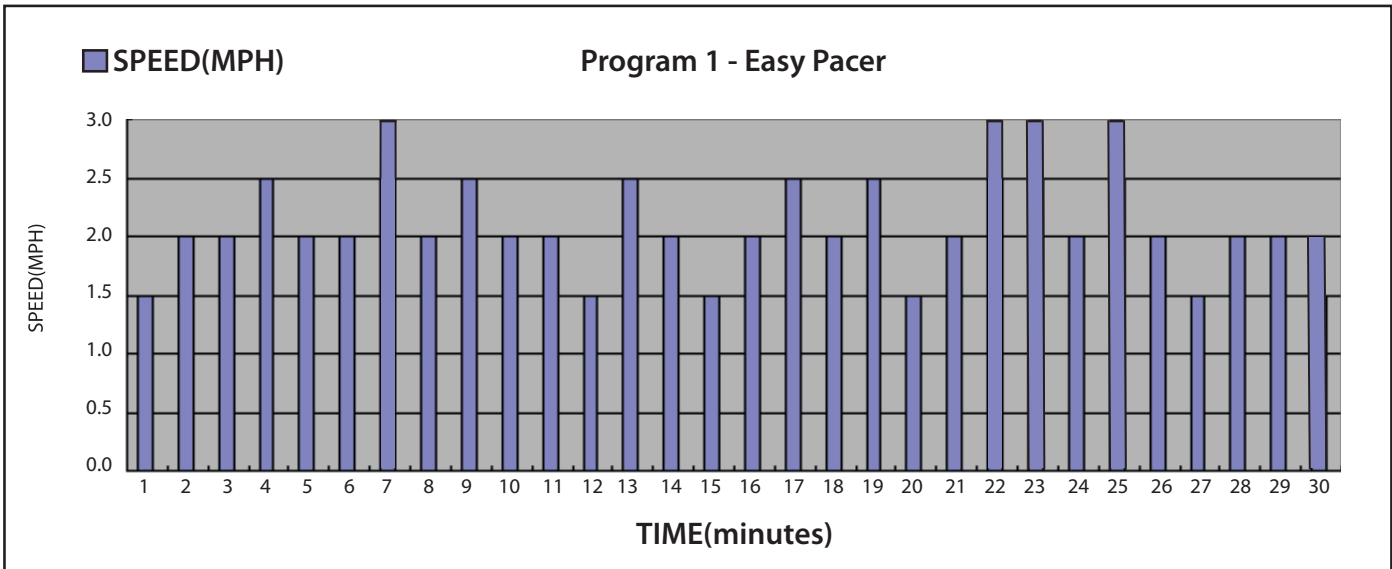
TIME(mins)	1	2	3	4	5	6	7	8	9	10	11	12	13	14	15	16	17	18	19	20	21	22	23	24	25	26	27	28	29	30	30 min
SPEED(MPH)	1.5	2	2	2.5	2	2	3	2	2.5	2	2	1.5	2.5	2	1.5	2	2.5	2	2.5	1.5	2	3	3	2	3	2	1.5	2	2	2	STOP

P2 - Interval pacer

TIME(mins)	1	2	3	4	5	6	7	8	9	10	11	12	13	14	15	16	17	18	19	20	21	22	23	24	25	26	27	28	29	30	30 min
SPEED(MPH)	1.5	2.5	2.5	4	2.5	2.5	5	3	4.5	3	3	2.5	5.5	4.5	3.5	4.5	6	4.5	6	3	4.5	6	5	4	6	4	3.5	4	4	3	STOP

P3 - Competitive pacer

TIME(mins)	1	2	3	4	5	6	7	8	9	10	11	12	13	14	15	16	17	18	19	20	21	22	23	24	25	26	27	28	29	30	30 min
SPEED(MPH)	3	4.5	4.5	4.5	4.5	5	5	5	5.5	5	6	6	6	5	4.5	5.5	5.5	5.5	4.5	4.5	5	5	5	5	4	5.5	5.5	5.5	4	3	STOP



4. MAINTENANCE

Reasonable cleaning / lubricating should be done to extend the lifetime of this unit. Performance is maximized when the belt and mat are kept as clean as possible.

WARNING: THE BELT/ DECK FRICTION MAY PLAY A MAJOR ROLE IN THE FUNCTION AND LIFE OF YOUR TREADMILL. WE RECOMMEND THAT YOU CONSISTENTLY LUBRICATE THIS FRICTION POINT TO PROLONG THE USEFUL LIFE OF YOUR TREADMILL. FAILING TO DO THIS MAY VOID YOUR WARRANTY.

WARNING: UNPLUG POWER CORD BEFORE MAINTENANCE.

WARNING: STOP AND DISCONNECT POWER CORD FROM TREADMILL BEFORE FOLDING.

4.1 General Cleaning

- Use a soft, damp cloth to wipe the edge of the belt and the area between the belt edge and frame. A mild soap and water solution along with a nylon scrub brush will clean the top of the textured belt. This task should be done once a month. Allow to completely dry before using.
- On a monthly basis, vacuum underneath your treadmill to prevent dust and hair build up. Once a year, you should remove the motor cover shield and vacuum out dirt that may accumulate.

4.2 General Care

- Check parts for wear before use.
- Always replace the belt if torn and replace any other defective parts.
- If in doubt, do not use the treadmill and contact us at support@intlpetgroup.com or visit www.dogpacer.com.

TAKE CARE TO PROTECT CARPETS AND FLOOR in case of leakages. This product is a machine that contains moving parts which have been greased / lubricated and could leak.

4.3 Belt/ Deck/ Roller Lubrication

The belt / deck friction may play a major role in the function and life of your treadmill. We recommend that you consistently lubricate this friction point to prolong the useful life of your treadmill.

You should apply the lubrication after approximately the first 40 hours of operation. We recommend lubrication of the deck according to the following timetable:

Light use (less than 3 hours per week) every 6 months.

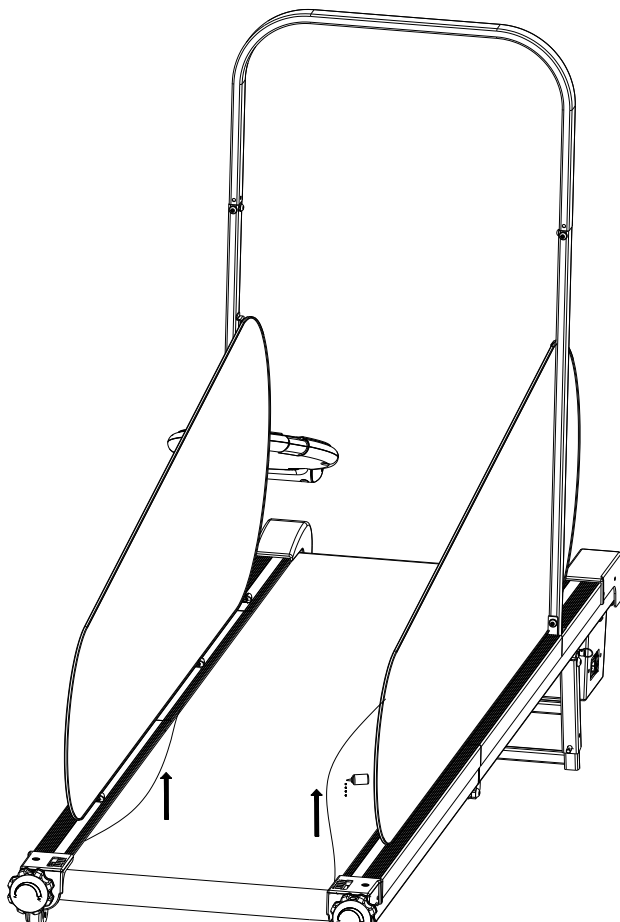
Medium use (3-5 hours a week) every 3 months.

Heavy use (more than 5 hours per week) every 6-8 weeks.

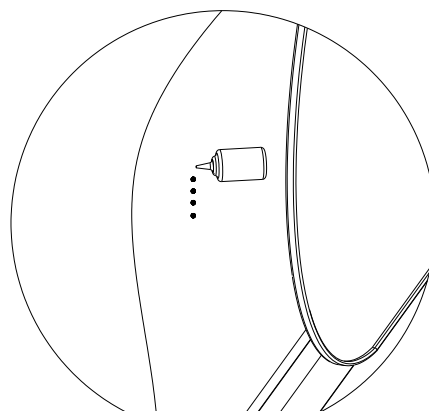
Procedure for Lubricating

1. Use a soft, dry cloth to wipe the area between the belt and deck.
2. Spread lubricant onto the inside surface of belt and deck evenly (make sure the machine is turned off and power is disconnected).
3. Periodically lubricate the front and rear rollers to keep them at their peak performance.

If the treadmill belt/deck/roller is kept reasonably clean, it is possible to expect over 1200 hours before additional lubrication necessary.



Loosen the back roller lightly, lift both sides of the belt, then lubricate in a “Z” shape at the center of belt, tighten the belt, run the belt on low speed for 2 minutes.



4.4 How to check the running belt for proper lubrication

1. Disconnect the main power supply.
2. Put the dogPACER on its side.
3. Feel the back surface of the running belt.

If the surface is slick when touched then no further lubrication is needed.

If the surface is dry when touched, apply a suitable silicone lubricant.

Before attempting any work on the treadmill, ensure that the power is off and the plug is removed from the source of power.

Do not use extension leads as it may lead to power decrease and failure.

We recommend you use a silicone-based spray to lubricate your dogPACER Treadmill. This can be purchased from your local sports retailer or hardware store.

5. TROUBLESHOOTING

This treadmill is designed in a way that in the event of an electrical fault, the machine will turn off automatically to prevent any injuries to the user and to prevent damage to the machine (i.e. motor).

When the treadmill behaves erratically, simply reset the treadmill by turning the power switch off, waiting for 1 minute then turning the power button back on.

5.1 Alarm Signals

'E0': Safety key is not in the position

Put the safety key (magnet) in its position.

No Power

1. Check power outlet (Plug something else into the power outlet to ensure that the power outlet is working correctly).
2. Check Power Cable (You may need to take it to an electrician).
3. For further problems please contact support@intlpetgroup.com

6. EXERCISE - Starters to get your pet on track

- Always check with your veterinarian to make sure your pet is healthy enough to start exercise on the dogPACER. If your pet has previous medical conditions such as heart/lung disease or orthopedic issues, have a veterinarian examine your pet again before starting an exercise regimen.
- Make sure your pet has gone to the bathroom before starting to exercise (We do not want accidents...)
- Always start slow. Start out at a nice walking pace for about 5-10 minutes for the first couple of times and then slowly build up time by 2-minute increments to get your pet comfortable with the dogPACER. Once your pet can briskly walk for a full 20 minutes, progress your pet to a higher speed with gradual increases of 0.5-1.0 mph. Make sure to monitor how your pet tolerates exercise. If your pet starts to show signs of exhaust or distress, slow down the speed and/or let your pet take a rest.
- Start with a steady walk for at least 5 minutes before going into a more vigorous workout.
- Be consistent and committed. Your pet should receive daily activity, not just on the weekend!
- Age and breed will factor in how much exercise your pet needs. Smaller and older dogs may not need as much exercise and bigger and younger dogs, but you and your veterinarian will be better able to judge the appropriate amount of exercise your pet needs. Typically pets should receive approximately 30-40 minutes of exercise daily. Some pets will need two 30-minute increments of exercise on the dogPACER, split up during the day.
- Always supervise your pet on the dogPACER. Never leash a pet to the dogPACER and walk away.
- If your pet is overweight, always combine an exercise program with proper nutrition. Talk to your veterinarian about guidelines for proper nutrition for weight loss.
- Make sure your pet has plenty of water available before and after exercise.
- Do not exercise puppies under 6 months for small breeds and larger breeds under 9 months for extended periods of time. Excess stress on the joints can cause bone and cartilage development problems later on in life. Puppies like to have activities in short bursts such as 5-minute increments, not endurance activities.
- Do not exercise your pet after a meal. Wait at least 1 hour after a meal before allowing them to go on the dogPACER. Full stomachs and high level of activity, especially in large deep-chested dog breeds can cause bloat or twisted stomach, which are both emergencies.
- If you have a short/flat muzzle dog, such as bulldogs, Shih Tzu's, Pekingese, pugs, or short-legged dogs such as dachshunds and basset hounds, do not be over zealous with activity. Always watch for signs of exhaust or tiredness. If you see panting, slowing down/falling behind, stop the treadmill and let your pet rest. Shorter, more frequent times of exercise are more beneficial.
- Use of the dogPACER is a great way to exercise your pet, but it is not a substitute for socialization for your pet. Your pet should still have contact with other dogs and outdoor exercise when able.

7. ENHANCED DIAGRAM

